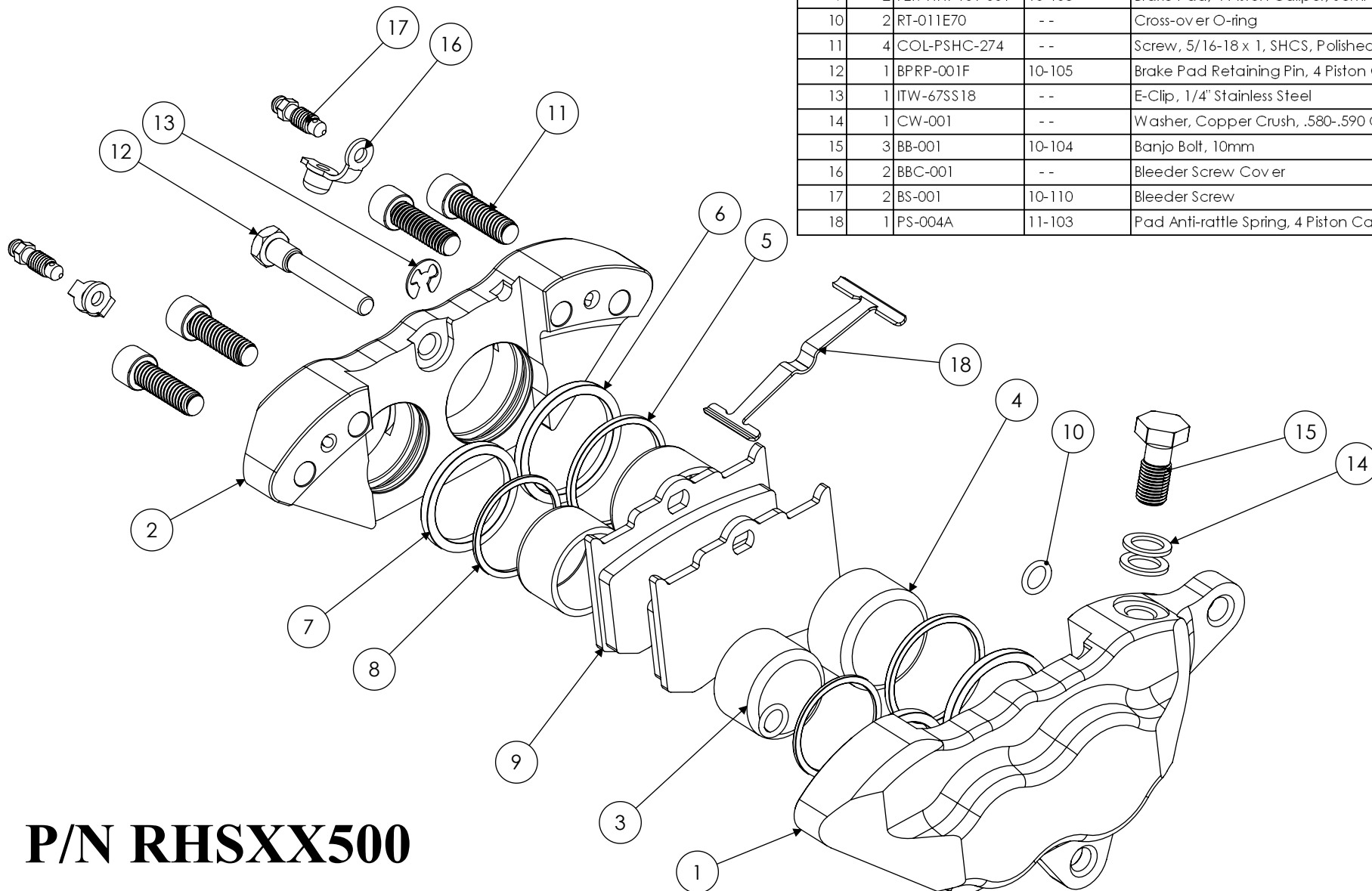


4 PISTON DIFFERENTIAL-BORE FRONT CALIPER '84 - '99

ITEM	QTY.	P/N	DWG #	DESCRIPTION
1	1	RHS-500-O	11-301	Caliper Half, 4 Piston DB - Outside
2	1	RHS-500-I	11-302	Caliper Half, 4 Piston DB - Inside
3	2	CP1180	10-106	Piston, 1.18" Diameter
4	2	CP1330	10-106	Piston, 1.33" Diameter
5	2	PH-88805E	10-109	O-ring Square Cut, 1.491 OD
6	2	PH-88804E	10-109	O-ring Square Cut, 1.566 OD
7	2	PH-88806E	10-109	O-ring Square Cut, 1.416 OD
8	2	PH-88807E	10-109	O-ring Square Cut, 1.341 OD
9	2	FER-HHI-101-001	10-108	Brake Pad, 4 Piston Caliper, Semi-metallic
10	2	RT-011E70	--	Cross-over O-ring
11	4	COL-PSHC-274	--	Screw, 5/16-18 x 1, SHCS, Polished Chrome
12	1	BPRP-001F	10-105	Brake Pad Retaining Pin, 4 Piston Caliper
13	1	ITW-67SS18	--	E-Clip, 1/4" Stainless Steel
14	1	CW-001	--	Washer, Copper Crush, .580-.590 OD, .392-.402 ID
15	3	BB-001	10-104	Banjo Bolt, 10mm
16	2	BBC-001	--	Bleeder Screw Cover
17	2	BS-001	10-110	Bleeder Screw
18	1	PS-004A	11-103	Pad Anti-rattle Spring, 4 Piston Caliper



P/N RHSXX500