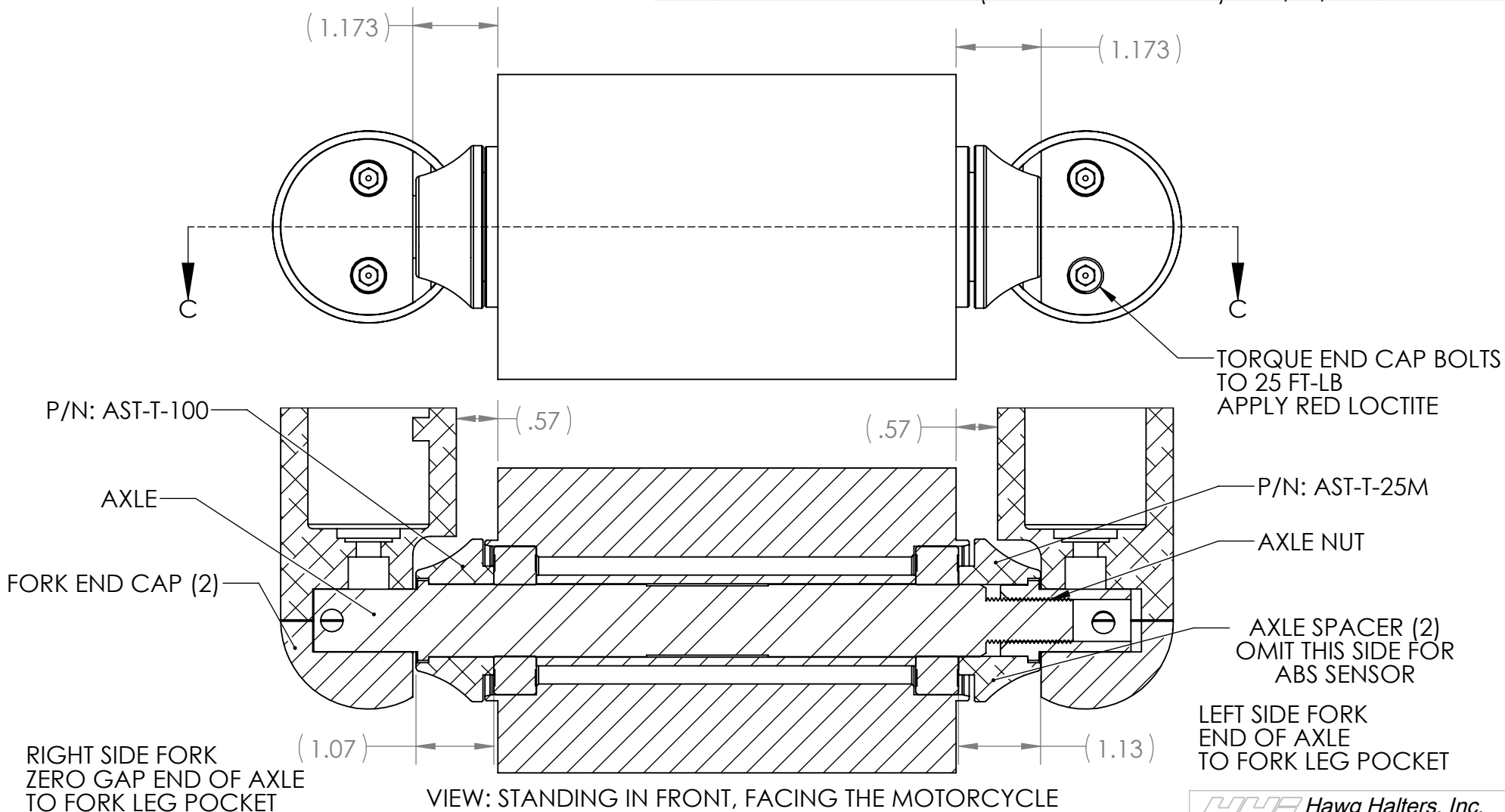


		REVISIONS	
LTR	DESCRIPTION	DATE	APPROVAL
A	UPDATED LABELING (RIGHT AND LEFT SIDE)	7/28/2014	NBG



**PROPRIETARY AND CONFIDENTIAL**  
 THE INFORMATION CONTAINED IN THIS DRAWING IS THE SOLE PROPERTY OF HAWG HALTERS, INC. ANY REPRODUCTION IN PART OR AS A WHOLE WITHOUT THE WRITTEN PERMISSION OF HAWG HALTERS, INC. IS PROHIBITED.

		TOLERANCES UNLESS NOTED: X.X: +/- .03 X.XX: +/- .01 X.XXX: +/- .005 FRAC: +/- 1/16 ANGULAR: +/- 1°	NAME	DATE
		MATERIAL	JMT	2/19/11
		FINISH		
NEXT ASSY	USED ON			
APPLICATION	DO NOT SCALE DRAWING			

**HHT** *Hawg Halters, Inc.*  
 389 Lumpkin County Parkway  
 Dahlonega, GA 30533

PART NO. AXLE ASSEMBLY INSTRUCTIONS

PART: FL BOMBER/TORPEDO

ASSEMBLY: FL FORK LEG - 2008-up

SIZE **A** DWG. NO. 31-111 REV. **A**

WEIGHT: SHEET 1 OF 1