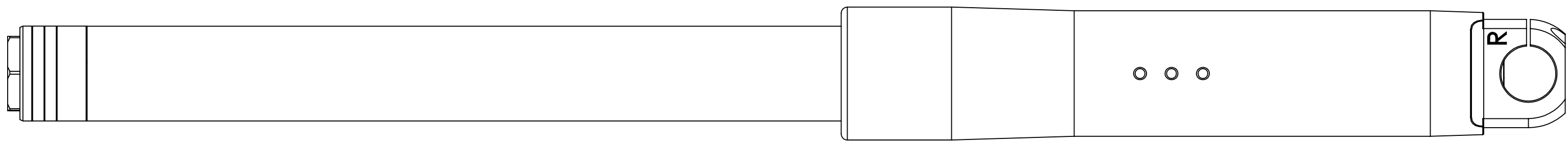
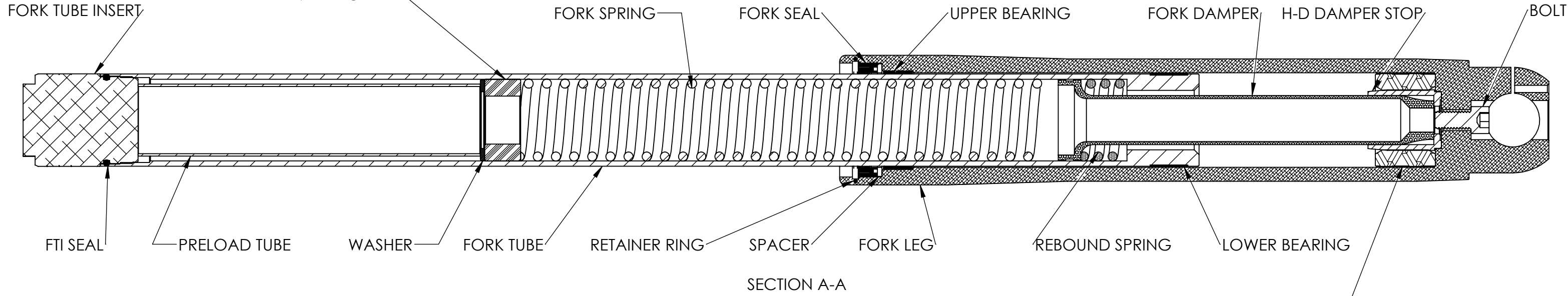


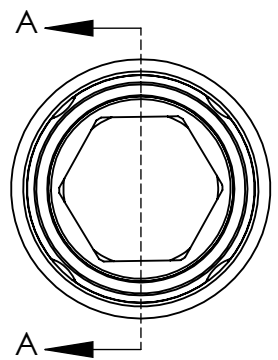
REVISIONS			
LTR	DESCRIPTION	DATE	APPROVAL



**HHI PRELOAD SPACER
49FL-PSR**



**HHI TRAVEL LIMITER
49FL-TLS**



PROPRIETARY AND CONFIDENTIAL
THE INFORMATION CONTAINED IN THIS DRAWING IS THE SOLE PROPERTY OF HAWG HALTERS, INC. ANY REPRODUCTION IN PART OR AS A WHOLE WITHOUT THE WRITTEN PERMISSION OF HAWG HALTERS, INC. IS PROHIBITED.

TOLERANCES UNLESS NOTED: X.X : +/- .03 X.XX : +/- .01 X.XXX : +/- .005 FRAC : +/- 1/16 ANGULAR : +/- 1°	NAME NBG	DATE 3/31/2014
MATERIAL	CHECKED	
FINISH --	ENG APPR.	
	MFG APPR.	
	Q.A.	
	STOCK SIZE:	
NEXT ASSY	USED ON	
APPLICATION	DO NOT SCALE DRAWING	

HHI Hawg Halters, Inc.
389 Lumpkin County Parkway
Dahlonega, GA 30533

PART NO.	49FL-FORK-ASSEMBLY	
PART:		
ASSEMBLY:		
SIZE	DWG. NO.	REV.
B	30-201	