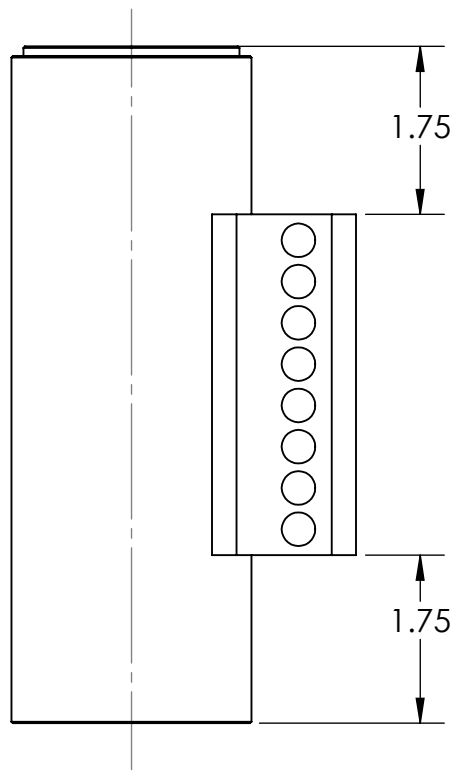
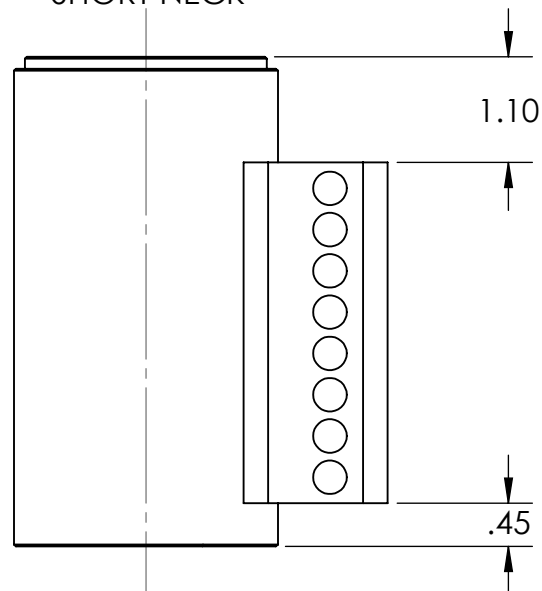


REVISIONS			
LTR	DESCRIPTION	DATE	APPROVAL

STANDARD NECK



SHORT NECK



**PROPRIETARY AND CONFIDENTIAL**  
 THE INFORMATION CONTAINED IN THIS DRAWING IS THE SOLE PROPERTY OF HAWG HALTERS, INC. ANY REPRODUCTION IN PART OR AS A WHOLE WITHOUT THE WRITTEN PERMISSION OF HAWG HALTERS, INC. IS PROHIBITED.

		TOLERANCES UNLESS NOTED: X.X: +/- .03 X.XX: +/- .01 X.XXX: +/- .005 FRAC: +/- 1/16 ANGULAR: +/- 1°	NAME	DATE
			DRAWN	NBG 11/5/2015
			CHECKED	
			ENG APPR.	
			MFG APPR.	
			Q.A.	
			STOCK SIZE:	
NEXT ASSY	USED ON	FINISH		
APPLICATION		DO NOT SCALE DRAWING		

**Hawg Halters, Inc.**  
 389 Lumpkin County Parkway  
 Dahlonega, GA 30533

PART NO.	NR-FB-FML		
PART:	NECK RAKE ROADGLIDE FAIRING MOUNT LOCATION		
ASSEMBLY:	NR-RG		
SIZE	DWG. NO.		REV.
<b>A</b>	115-911		
WEIGHT:		SHEET 1 OF 1	