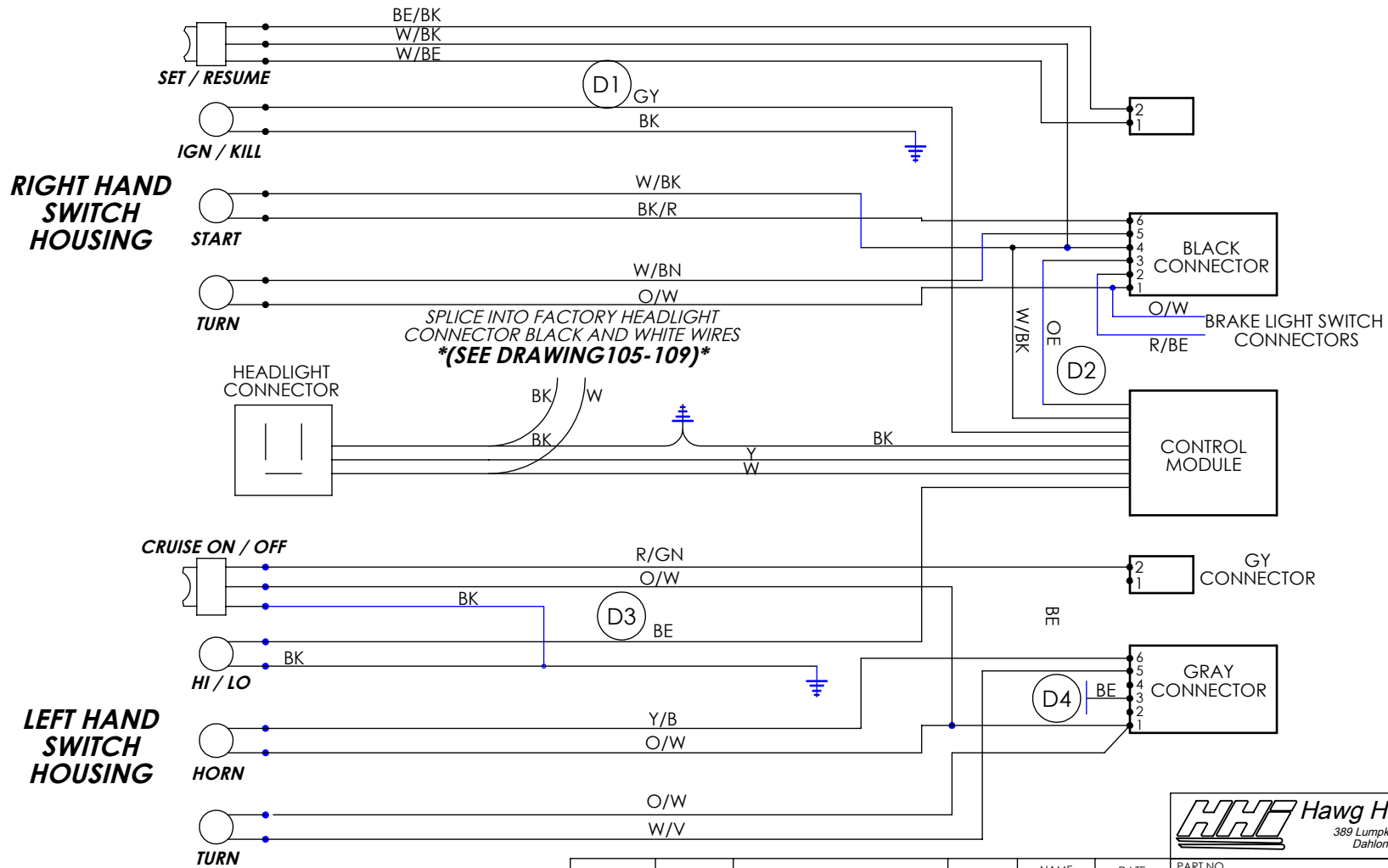


REVISIONS			
LTR	DESCRIPTION	DATE	APPROVAL
D1	WHITE/RED WIRE HAS CHANGED TO GRAY	7/8/2019	SAE
D2	GRAY WIRE HAS CHANGED TO ORANGE	7/8/2019	SAE
D3	WHITE/YELLOW WIRE HAS CHANGED TO BLUE	7/8/2019	SAE
D4	BLUE WIRE FROM GRAY CONNECTOR HAS BEEN REMOVED	7/8/2019	SAE



**PROPRIETARY AND CONFIDENTIAL**  
 THE INFORMATION CONTAINED IN THIS DRAWING IS THE SOLE PROPERTY OF HAWG HALTERS, INC. ANY REPRODUCTION IN PART OR AS A WHOLE WITHOUT THE WRITTEN PERMISSION OF HAWG HALTERS, INC. IS PROHIBITED.

		TOLERANCES UNLESS NOTED: X.X: +/- .03 X.XX: +/- .01 X.XXX: +/- .005 FRAC: +/- 1/16 ANGULAR: +/- 1°	NAME	DATE
			TEZ	4/25/11
			CHECKED	
			ENG APPR.	
			MFG APPR.	
			Q.A.	
			STOCK SIZE:	
NEXT ASSY	USED ON	FINISH		
APPLICATION		DO NOT SCALE DRAWING		

**Hawg Halters, Inc.**  
 389 Lumpkin County Parkway  
 Dahlonega, GA 30533

PART NO.	HSCH-007		
PART:	SWITCH HARNESS, 1996-06 HD ROADKING W/ CRUISE		
ASSEMBLY:	HAND CONTROLS		
SIZE	DWG. NO.	REV.	
<b>A</b>	105-107	<b>C</b>	
WEIGHT:		SHEET 1 OF 1	