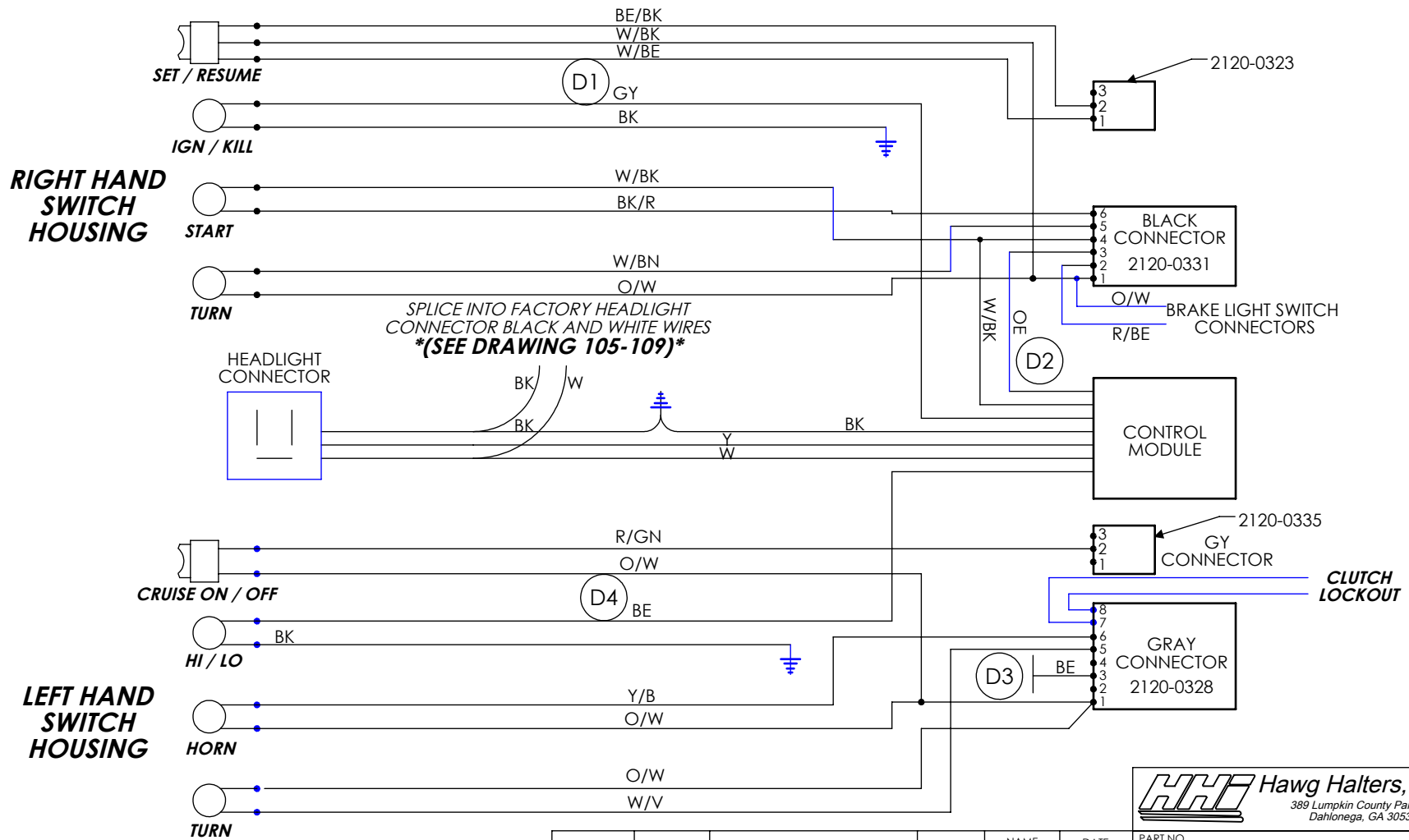


REVISIONS			
LTR	DESCRIPTION	DATE	APPROVAL
D1	WHITE/RED WIRE HAS CHANGED TO GRAY	7/8/2019	SAE
D2	GRAY WIRE HAS CHANGED TO ORANGE	7/8/2019	SAE
D3	BLUE WIRE FROM GRAY CONNECTOR HAS BEEN REMOVED	7/8/2019	SAE
D4	WHITE/YELLOW WIRE HAS CHANGED TO BLUE	7/8/2019	SAE



**PROPRIETARY AND CONFIDENTIAL**  
 THE INFORMATION CONTAINED IN THIS DRAWING IS THE SOLE PROPERTY OF HAWG HALTERS, INC. ANY REPRODUCTION IN PART OR AS A WHOLE WITHOUT THE WRITTEN PERMISSION OF HAWG HALTERS, INC. IS PROHIBITED.

		TOLERANCES UNLESS NOTED: X.X: +/- .03 X.XX: +/- .01 X.XXX: +/- .005 FRAC: +/- 1/16 ANGULAR: +/- 1°	NAME	DATE
			TEZ	4/25/11
			CHECKED	
			ENG APPR.	
			MFG APPR.	
			Q.A.	
			STOCK SIZE:	
NEXT ASSY	USED ON	FINISH		
APPLICATION	DO NOT SCALE DRAWING			

 389 Lumpkin County Parkway Dahlonega, GA 30533		PART NO.	HSCH-008	
		PART:	SWITCH HARNESS, 2007-UP HD ROADKING W/ CRUISE	
ASSEMBLY:		HAND CONTROLS		
SIZE	DWG. NO.	105-108	REV.	C
WEIGHT:		SHEET 1 OF 1		