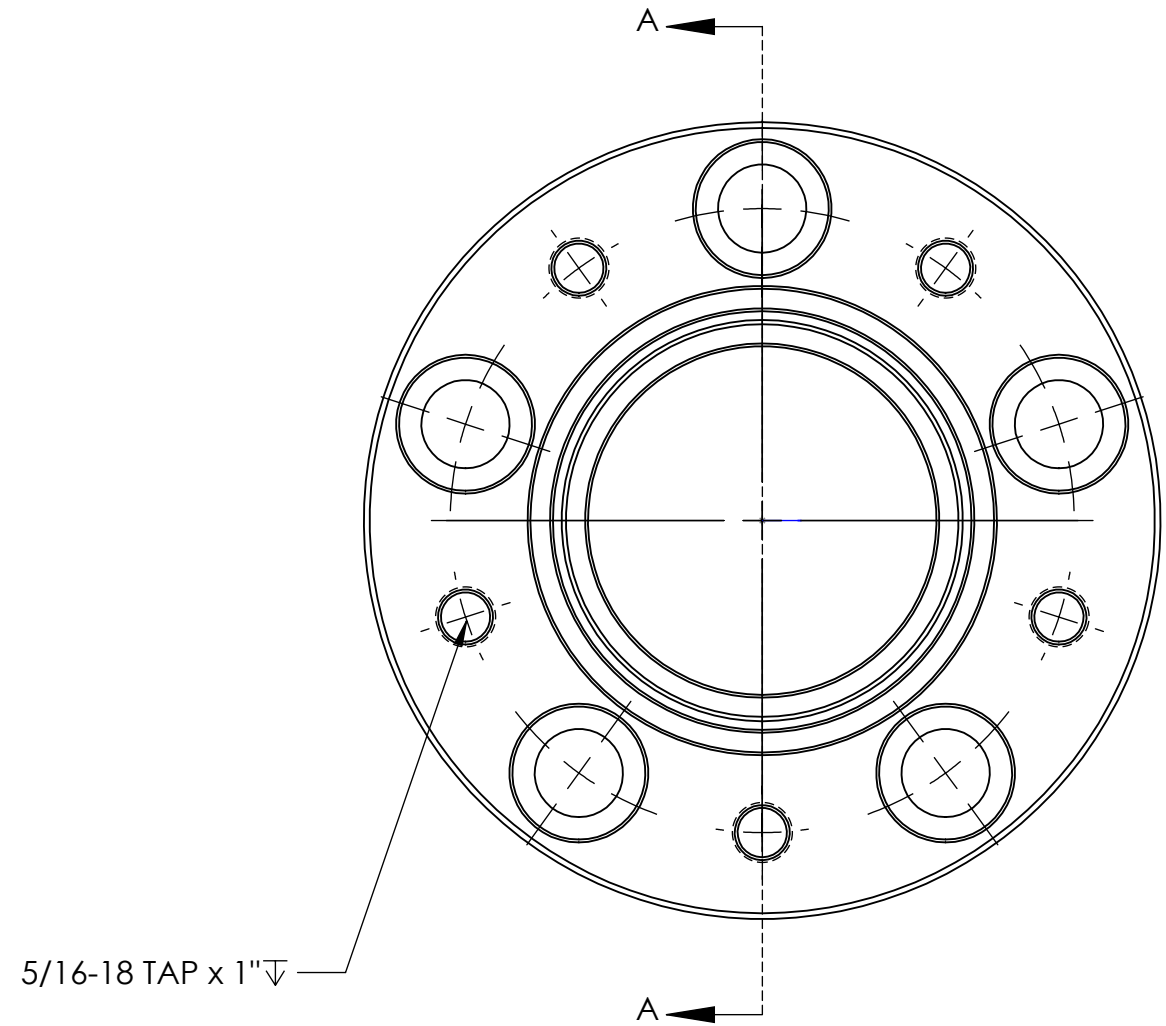
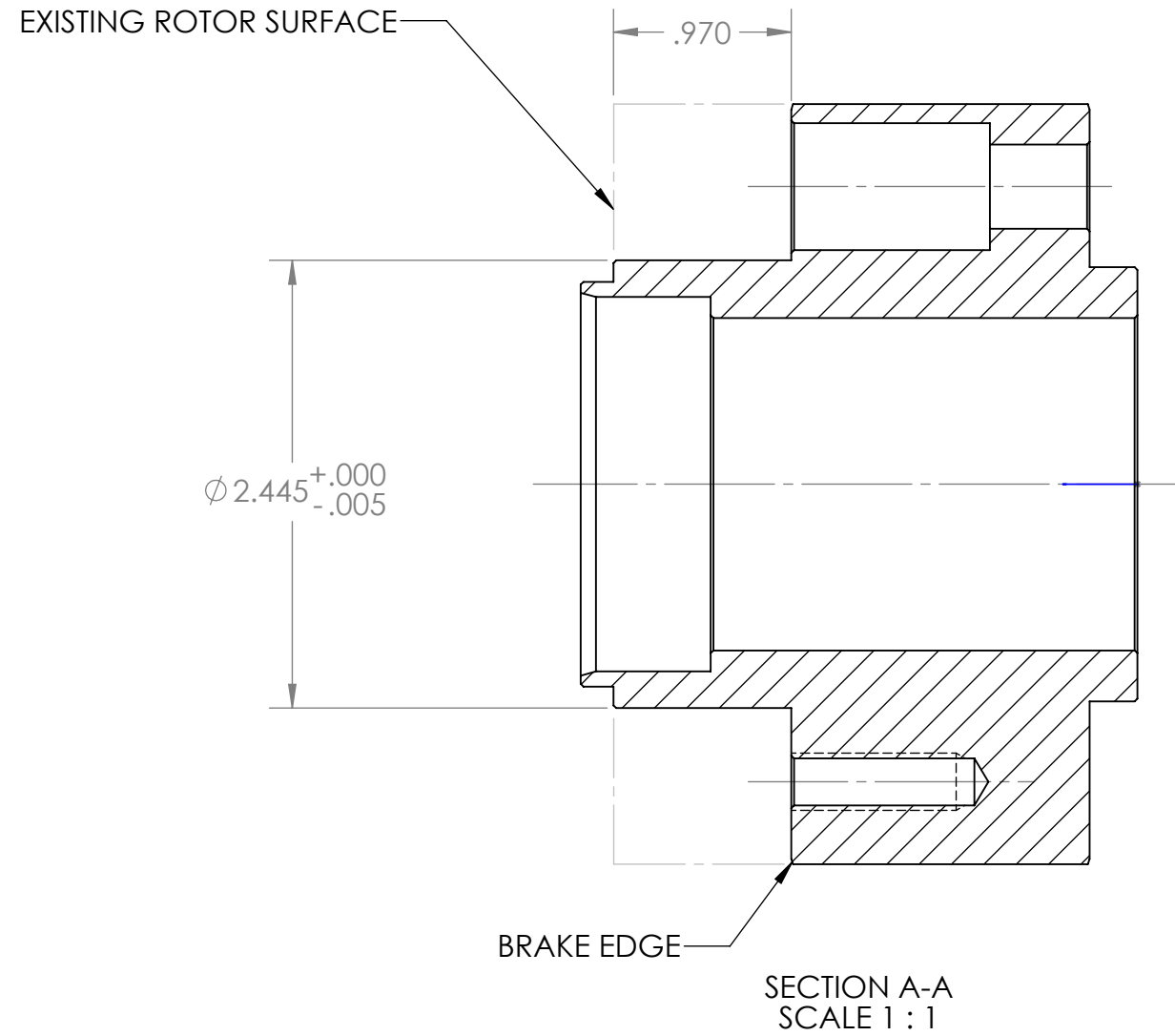


REVISIONS			
LTR	DESCRIPTION	DATE	APPROVAL



**PROPRIETARY AND CONFIDENTIAL**  
 THE INFORMATION CONTAINED IN THIS DRAWING IS THE SOLE PROPERTY OF HAWG HALTERS, INC. ANY REPRODUCTION IN PART OR AS A WHOLE WITHOUT THE WRITTEN PERMISSION OF HAWG HALTERS, INC. IS PROHIBITED.

TOLERANCES UNLESS NOTED: X.X : +/- .03 X.XX : +/- .01 X.XXX : +/- .005 FRAC : +/- 1/16 ANGULAR : +/- 1°	DRAWN	NAME	DATE
	CHECKED	NBG	4/8/2014
	ENG APPR.		
	MFG APPR.		
	Q.A.		
	STOCK SIZE:		
MATERIAL	FINISH	--	
NEXT ASSY	USED ON		
APPLICATION	DO NOT SCALE DRAWING		

**HHI** **Hawg Halters, Inc.**  
 389 Lumpkin County Parkway  
 Dahlonega, GA 30533

PART NO.	N/A	
PART:	HUB MODIFICATION FOR 18" HHI ROTOR	
ASSEMBLY:	FRONT WHEEL HUB	
SIZE	DWG. NO.	REV.
<b>B</b>	65-1902	