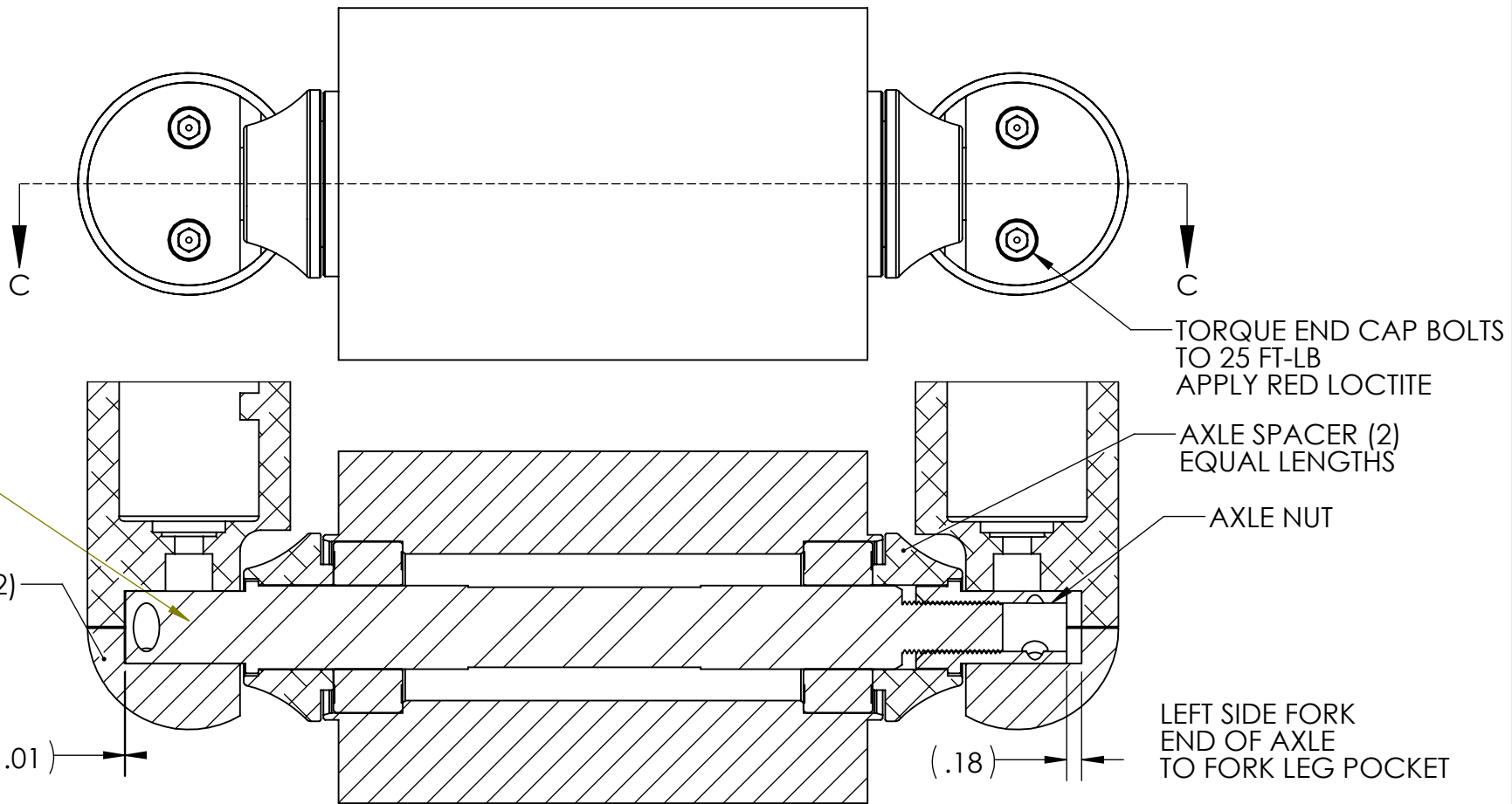


REVISIONS			
LTR	DESCRIPTION	DATE	APPROVAL
A	FIXED LABELING (RIGHT AND LEFT SIDE)	7/28/2014	NBG



VIEW: STANDING IN FRONT, FACING THE MOTORCYCLE

RIGHT SIDE FORK
ZERO GAP END OF AXLE
TO FORK LEG POCKET

Hawg Halters, Inc.
389 Lumpkin County Parkway
Dahlonega, GA 30533

PROPRIETARY AND CONFIDENTIAL
THE INFORMATION CONTAINED IN THIS
DRAWING IS THE SOLE PROPERTY OF
HAWG HALTERS, INC. ANY
REPRODUCTION IN PART OR AS A WHOLE
WITHOUT THE WRITTEN PERMISSION OF
HAWG HALTERS, INC. IS
PROHIBITED.

		TOLERANCES UNLESS NOTED: X.X: +/- .03 X.XX: +/- .01 X.XXX: +/- .005 FRAC: +/- 1/16 ANGULAR: +/- 1°	NAME JMT	DATE 11/5/10
		MATERIAL --	CHECKED	
		FINISH --	ENG APPR.	
NEXT ASSY	USED ON		MFG APPR.	
APPLICATION		DO NOT SCALE DRAWING	Q.A.	
			STOCK SIZE:	

PART NO. AXLE ASSEMBLY INSTRUCTIONS		
PART: FL BOMBER/TORPEDO		
ASSEMBLY: FL FORK LEG-2000-07		
SIZE A	DWG. NO. 31-112	REV. A
WEIGHT:		SHEET 1 OF 1