



Installation Instructions for Hawg Halters, Inc.
2014-up FL Model Triple Trees

THIS PRODUCT IS INTENDED FOR USE WHEN INSTALLING A TRIKE CONVERSION or OUR NECK RAKE KIT AND LARGER SIZE FRONT WHEEL!

NOTE: PLEASE READ INSTRUCTIONS FULLY BEFORE STARTING INSTALLATION AS VARIOUS MODELS REQUIRE SPECIFIC COMPONENTS.

WARNING – FRONT END PERFORMANCE IS A CRITICAL SAFETY ITEM. TRIPLE TREES SHOULD BE INSTALLED BY A QUALIFIED SERVICE TECHNICIAN ONLY!!!!

- 1. Make sure the motorcycle is properly secured when raised. Remember to balance it properly as you will be removing the complete front end.**
- 2. Remove the front wheel assembly, brakes and fender.**
- 3. Remove the fairing as necessary on batwing models, nacelle on Road King models and front and rear fork covers on Road Glide models. Remove the fork tube assemblies and then remove both the upper and lower triple trees. Finally disassemble the handlebars from the top triple tree.**
- 4. Before proceeding refer to supplied HHI drawing #45-2000 for all stock/standard neck or 45-2400 for HHI SHORT NECK parts breakdown.**
- 5. On the HHI Short Neck kit be sure to apply anti-seize to the lower portion of the neck stem, item #3, where it mates with the bore in the lower tree, #2. Also apply anti-seize to the upper threads. Place the neck stem into the lower tree bore.**
- 6. Install the lower dust shield and supplied neck bearing on the neck stem. Replace the lower bearing race at this time if there are any signs of wear.**
- 7. Check the upper neck bearing and race, replace if necessary. Apply anti-seize to the threads of HD neck stem bolt, item #7.**
- 8. Insert the stock riser bushing upper half in item #3 or #9 and place it in the top of the triple tree. Install the riser bushing lower half in the underside of the triple tree. Install the handlebar riser assembly at this time using blue Loctite and leaving the bolts hand tight.**
- 9. Install the lower triple tree assembly into the bottom of the frame neck and thread the upper neck bolt, item #7, into the lower neck stem until the bearings are in place. For the Short Neck kit you will thread the Neck Stem #3 into the upper tree.**

10. Reinstall lower fork covers at this time using the supplied hardware after applying blue Loctite to the screw threads. Do not torque at this time as you'll need to check for proper operating clearances with the fork assembly.
11. Next, apply blue loctite to the screw threads of item #11 & #15. Install the four bolts #15 into the upper tree, be sure to check length as the shorter bolts are used in the upper tree only. Install the bolts in the lower triple tree leaving all the screws loose at this time.
12. Suspension assembly, install and upgrades notes follow. You will be replacing the factory top fork bolt with the HHI supplied Fork Tube extension. On 2014-16 models we recommend increasing the suspension preload or replacing the factory rebound and main spring with upgraded components. As a further improvement we suggest updating to the 2017-later HD fork tube and spring package. The 2017-up models can be assembled with the stock components for good results for most applications. Alternatively, various aftermarket manufacturers also offer suspension upgrade components to improve performance and handling.
13. As a further note on custom installs, we recommend a dry assembly test mock-up of the fork assembly to check for adequate fender to lower tree clearance when fully compressed. This is best done without the main springs installed to allow full compression of the fork assembly. You should check Fork Cover length, position and clearance at this time.
14. Check the fork tube bores for any sharp edges or burrs prior to installing the fork tubes. Position the fork tubes through the lower tree and into the upper tree aligning the top of the tube with the back edge of the top triple tree fork bore. Secure the fork tubes in the upper triple tree only by hand tightening the 4 bolts. Do not torque at this time.
15. Refer to your H-D 2014-up Touring model service manual for proper neck bearing preload and torque procedures for the stock frame models. We have found that a torque setting slightly greater than the factory value works best with larger than stock size wheel installs. On the Short Neck design we recommend as a starting point to torque the lower neck stem bolt to 40 ft-lbs and the top nut, item #10, to 80 ft-lbs.
16. Once the steering head bearings are set correctly, apply torque of 25 ft.-lbs to the eight triple tree fork clamp bolts, #11 & #15. On the stock style trees, apply blue Loctite to the upper tree stem bolt screw #9 and torque this fastener to 30 ft-lbs. On short neck trees install the set screw #12 in the lower tree.
17. Install the handlebars and check alignment of the riser assembly and then torque bolts to 60 ft-lbs.
18. Install fender, front wheel, brake hose mount and brake caliper assembly per factory service manual specifications.
19. Reinstall factory fairing, nacelle and other remaining components.

All HAWG HALTERS, Inc. triple trees are guaranteed to be free from defects in material and workmanship for a period of one year from the date of purchase.

If you have any questions call:

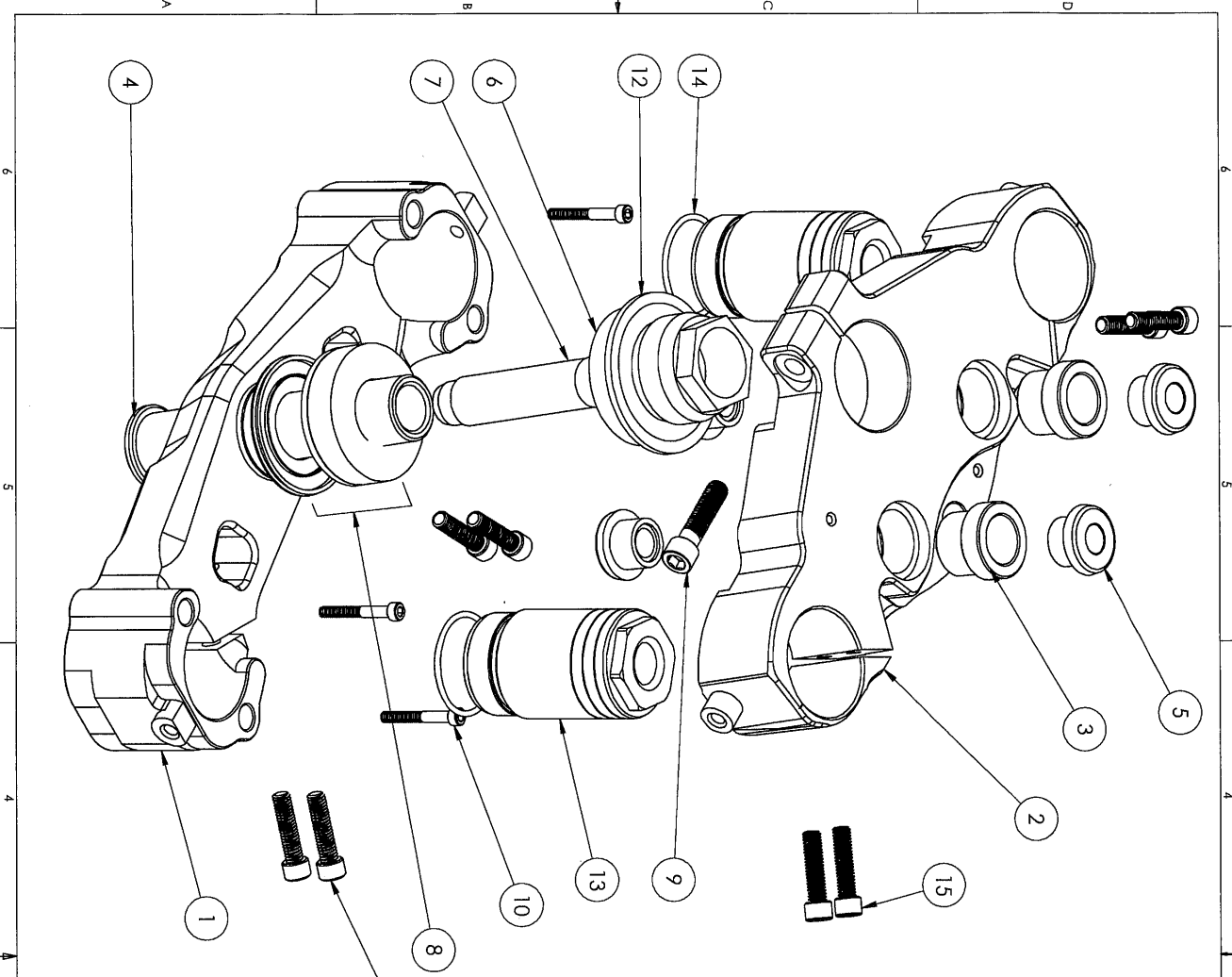
TOLL FREE 1-877-HHALTER (442-5837)

HAWG HALTERS, INC.

389 Lumpkin County Parkway

Dahlonega GA 30533

6/18



ITEM	QTY	P/N	DWG #	DESCRIPTION
1	1	49FLMR9-L	45-2002	49mm 9deg Lower Tree
2	1	49FLMR9-U	45-2001	49mm 9deg Upper Tree
3	2	41FL-RBS-STK	45-1203	41FL 6deg Riser Bushing Adaptor
4	1	NS-49FL	45-1903	49FL Lower Neck Stem
5	4	--	--	Riser Bushing (H-D)
6	1	--	--	Neck Bearing (H-D)
7	1	--	--	49FL Upper Neck Stem (H-D)
8	1	NBR-006L	--	BEARING, RACE, SEAL
9	1	FAST-93309	--	3/8-16 x 1 1/2 SHCS
10	4	FAST-0130554	--	10-24 x 1 1/2 SHCS
11	4	FAST-93257	--	5/16-18 x 1 1/4 SHCS
12	1	--	--	Upper Dust Shield (H-D)
13	2	FL149-FLH	45-2101	49FL FORK TUBE INSERT +1"
14	2	MCM-9262K735	--	FORK TUBE O-RING
15	4	FAST-93255	--	5/16-18 x 1" SHCS

REVISIONS		DATE	APPROVAL
LTR	DESCRIPTION		
A	ADDED 5/16-18 x 1" AND REDUCED 5/16-18 x 1.25" BY 4	1/12/2016	NBS

PROPRIETARY AND CONFIDENTIAL
 THE INFORMATION CONTAINED IN THIS DRAWING IS THE PROPERTY OF HAWG HALTERS, INC. ANY REPRODUCTION IN PART OR AS A WHOLE WITHOUT THE WRITTEN PERMISSION OF HAWG HALTERS, INC. IS PROHIBITED.

NAME	DATE	DATE	DATE
DESIGNED	7/25/2014		
CHECKED			
ENG APPR			
MFG APPR			
Q.A.			

TOLERANCES UNLESS NOTED:
 XXX: +.03
 XXX: -.03
 XXX: +.005
 XXX: -.005
 RACE: +.1 / .15
 ANGLE: +.1

MATERIAL

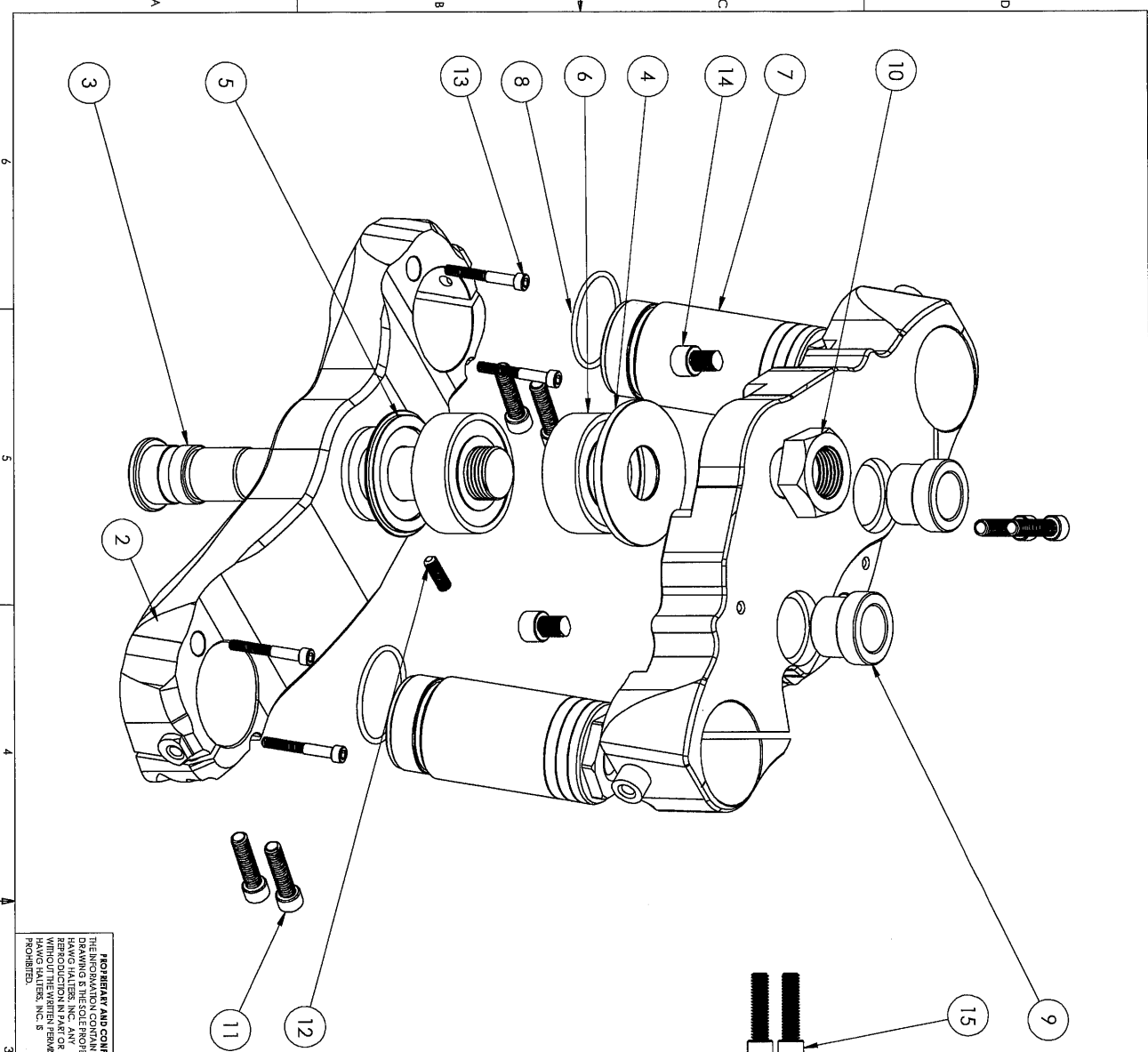
STOCK SIZE

ASSEMBLY: 49FLMR9 -2014 STOCK NECK

REF: 45-2000

REV: A

Hawg Halters, Inc.
 3880 Highway 67
 3880 Highway 67
 3880 Highway 67



ITEM	QTY	P/N	DWG #	DESCRIPTION
1	1	49FLMR12S-30-U	45-2401	UPPER TREE
2	1	49FLMR12S-30-L	45-2402	LOWER TREE
3	1	NS-7	35-105	NECK STEM
4	1	UDS-004	45-505	UPPER DUST SHIELD
5	1	LDS-005	45-506	LOWER DUST SHIELD
6	2	--	--	H/H BEARING
7	2	FTI49-FLH+2	45-2101	FORK TUBE INSERT
8	2	MCM-9262K735	--	49-FTI O-RING
9	2	41-RBS-STK	45-1203	RISER BUSHING SPACER
10	1	FAST-1127	--	FL JAM NUT
11	4	FAST-93257	--	5/16-18 x 1.25" SHCS
12	1	MCM-90251A578	--	5/16-18 x 0.5" SET SCREW
13	4	FAST-01305504	--	10-24 x 1.5" SHCS
14	2	FAST-93301	--	3/8-16 x 1/2" SHCS
15	4	FAST-93255	--	5/16-18 x 1" SHCS

REVISIONS			DATE	APPROVAL
LTR	DESCRIPTION	ADDED 5/16-18 x 1" AND REDUCED 5/16-18 x 1.25" BY 4	1/12/2016	NBG
A				

PROBABLE AND CONFIDENTIAL
 THE INFORMATION CONTAINED IN THIS DRAWING IS THE SOLE PROPERTY OF HAWG HALTERS, INC. ANY REPRODUCTION IN PART OR AS A WHOLE WITHOUT THE WRITTEN PERMISSION OF HAWG HALTERS, INC. IS PROHIBITED.

TOLERANCES UNLESS NOTED: X.XX: +.01 X.XXX: +.005 FRAC: +.01, 1/16 ANGULAR: +.1°	DRAWN: [] CHECKED: [] ENG APPR: [] MFG APPR: [] Q.A. []	DATE: 4/2/2016	NAME: [] NKG
MATERIAL: []	STOCK SIZE: []	DATE: []	NAME: [] NKG
FINISH: []	DO NOT SCALE DRAWING	DATE: []	NAME: [] NKG
NEST ASSY: []	USED ON: []	DATE: []	NAME: [] NKG
APPLICATION: []		DATE: []	NAME: [] NKG

Hawg Halters, Inc.
 388 Lupton Circle
 Kalamazoo, MI 49001

PART NO: 49FLMR12S

PART: 49FL 12 DEG TREE SPECIAL KIT

ASSEMBLY: 49 FLH 201 4-UP SHORT NECK

SER DWG NO: 45-2400

REV: A